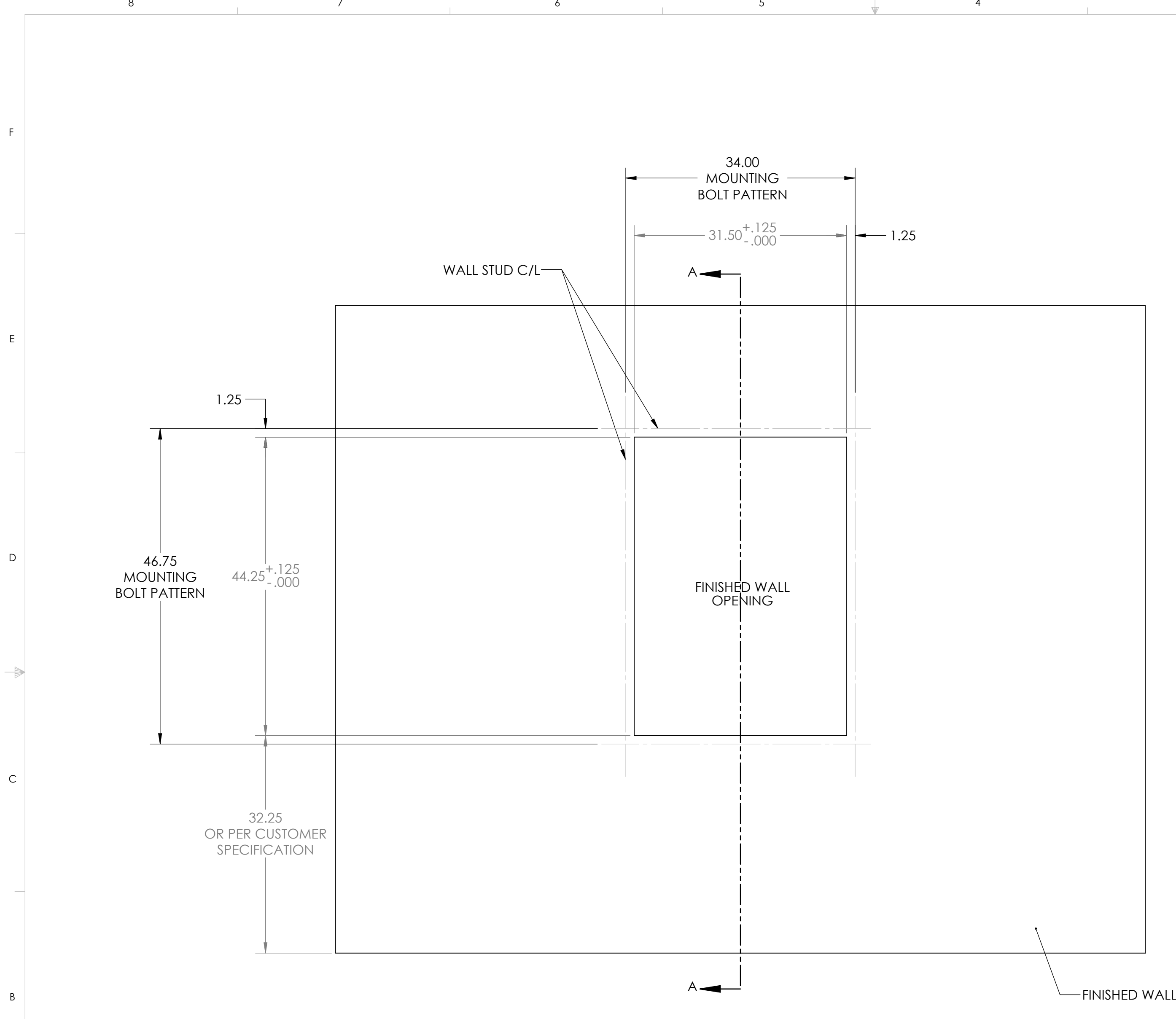
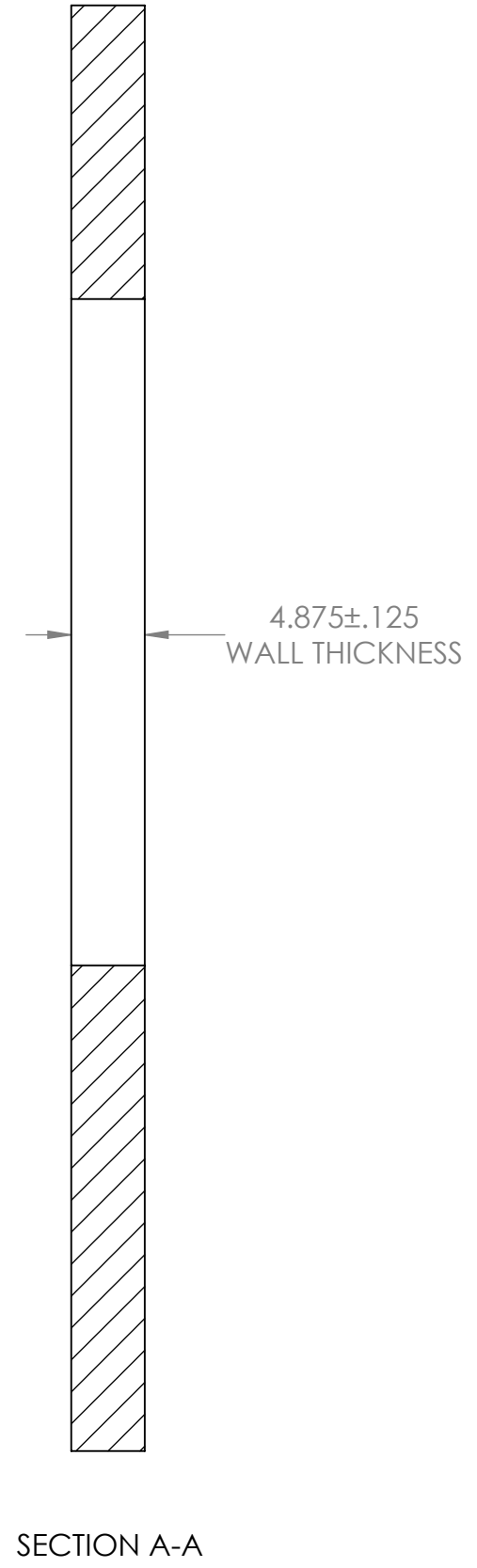


REVISIONS				
ZONE	REV.	DESCRIPTION	DATE	APPROVED
	A	INITIAL RELEASE	10/22/15	MSC
	B	ADDED SECTION VIEW A-A	8/18/16	MSC



Wall thickness must be 4 7/8" +/- 1/8"



- NOTES:
1. WALL STUDS SHOULD BE CENTERED ON THE BOLT PATTERN CENTERLINES TO SUPPORT THE PASS-THRU WINDOW
  2. OVERALL WALL THICKNESS SHOULD BE 4.875 +/- .125".

**PROPRIETARY AND CONFIDENTIAL**  
 THE INFORMATION CONTAINED IN THIS DRAWING IS THE SOLE PROPERTY OF CLEAN ROOM DEVICES, LLC. ANY REPRODUCTION IN PART OR AS A WHOLE WITHOUT THE WRITTEN PERMISSION OF CLEAN ROOM DEVICES, LLC IS PROHIBITED.

UNLESS OTHERWISE SPECIFIED:		NAME	DATE	CLEAN ROOM DEVICES, LLC
DIMENSIONS ARE IN INCHES		DRAWN	MSC	
TOLERANCES:		CHECKED		TITLE: <b>FINISHED WALL OPENING, CRD340</b>
FRACTIONAL ±1/16		ENG APPR.		
ANGULAR: MACHINED ±0.5° BEND ±2°		MFG APPR.		
TWO PLACE DECIMAL ±.01		Q.A.		SIZE DWG. NO. REV <b>C 340-018 B</b>
THREE PLACE DECIMAL ±.005		COMMENTS:		
INTERPRET GEOMETRIC TOLERANCING PER: ANSI Y14.5				SCALE: 1:12 WEIGHT: SHEET 1 OF 1
MATERIAL				
SEE NOTES				
NEXT ASSY	USED ON			
APPLICATION				
DO NOT SCALE DRAWING				