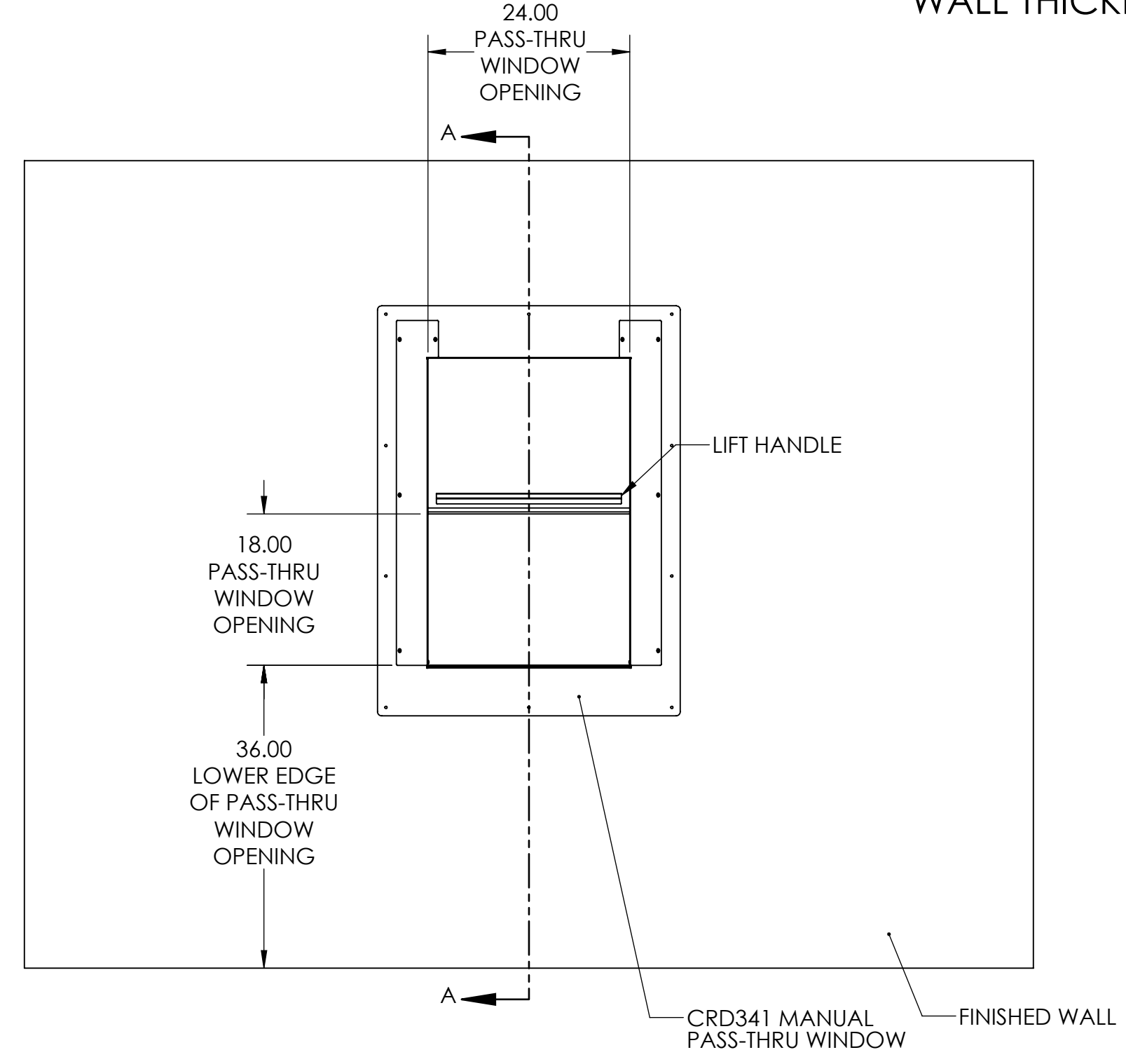
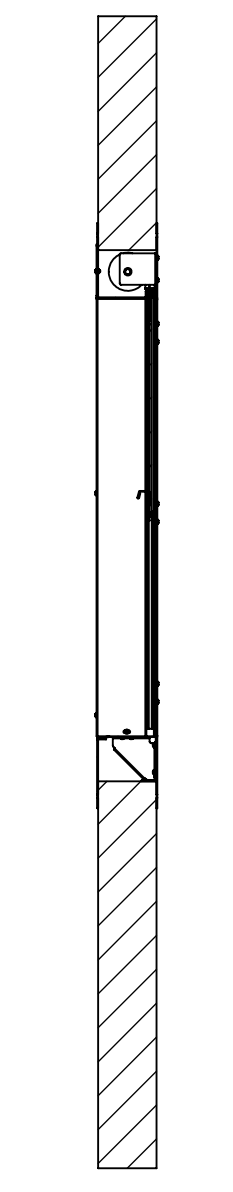


REVISIONS				
ZONE	REV.	DESCRIPTION	DATE	APPROVED
	A	INITIAL RELEASE	3/11/20	MSC

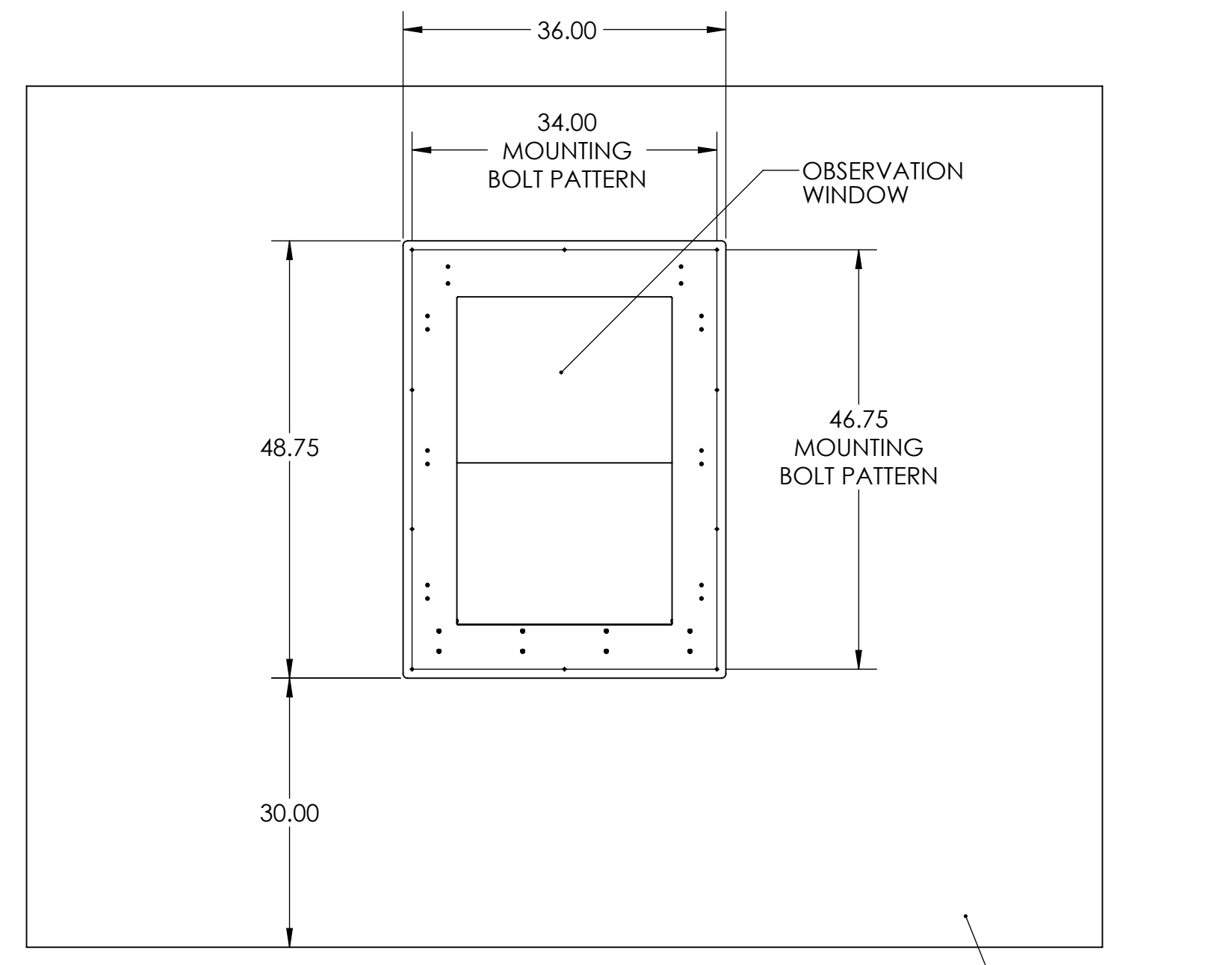
WALL THICKNESS MUST BE 4 7/8" +/- 1/8"



PACKAGING ROOM SIDE



SECTION A-A



CLEAN ROOM SIDE

- NOTES:
- LOCATING BRACKET ON THE CRD341 MANUAL PASS-THRU WINDOW SITS DIRECTLY ON THE LEDGE OF THE WALL OPENING, CENTER UNIT SIDE-TO-SIDE WITHIN THE WALL OPENING
  - ATTACH WINDOW TO WALL USING 20X #14 TRUSS HEAD SHEET METAL SCREWS, #3 PHILLIPS DRIVE, 18-8 SS, .216" DIA X 1.5" LONG, McMASTER-CARR P/N 93406A318

**PROPRIETARY AND CONFIDENTIAL**  
 THE INFORMATION CONTAINED IN THIS DRAWING IS THE SOLE PROPERTY OF CLEAN ROOM DEVICES, LLC. ANY REPRODUCTION IN PART OR AS A WHOLE WITHOUT THE WRITTEN PERMISSION OF CLEAN ROOM DEVICES, LLC IS PROHIBITED.

UNLESS OTHERWISE SPECIFIED:		DRAWN	NAME	DATE	CLEAN ROOM DEVICES, LLC
DIMENSIONS ARE IN INCHES		CHECKED	MSC	3/11/20	
TOLERANCES:		ENG APPR.			
FRACTIONAL ±1/16		MFG APPR.			
ANGULAR: MACHINED ±0.5° BEND ±2°		Q.A.			
TWO PLACE DECIMAL ±.01		COMMENTS:			TITLE: <b>INSTALLATION, CRD341</b>
THREE PLACE DECIMAL ±.005		SIZE	DWG. NO.	REV	
INTERPRET GEOMETRIC TOLERANCING PER: ANSI Y14.5		<b>C</b>	<b>341-006</b>	<b>A</b>	
MATERIAL		SCALE: 1:16			WEIGHT:
SEE NOTES		SHEET 1 OF 1			
NEXT ASSY	USED ON	DO NOT SCALE DRAWING			
APPLICATION					