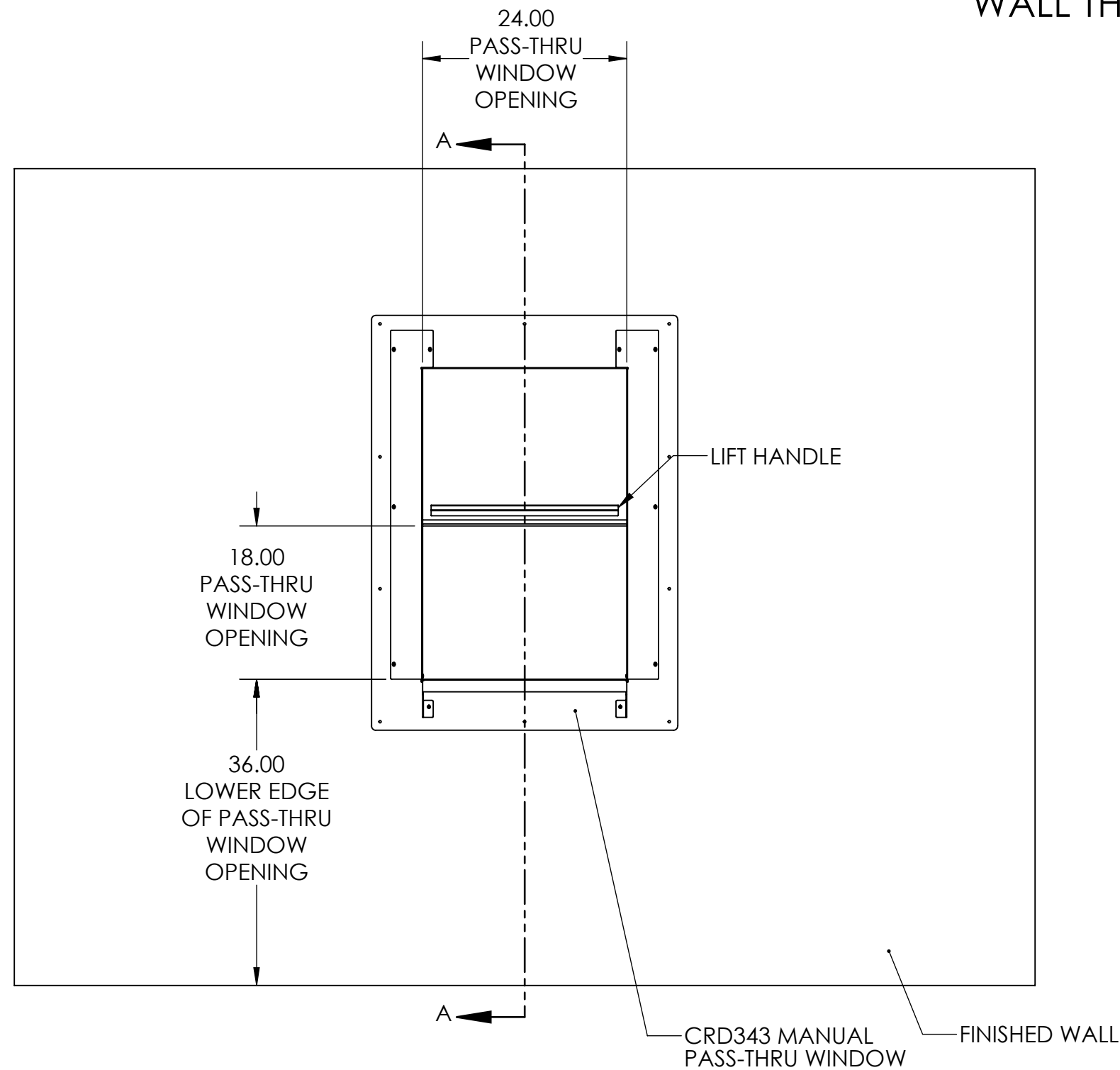
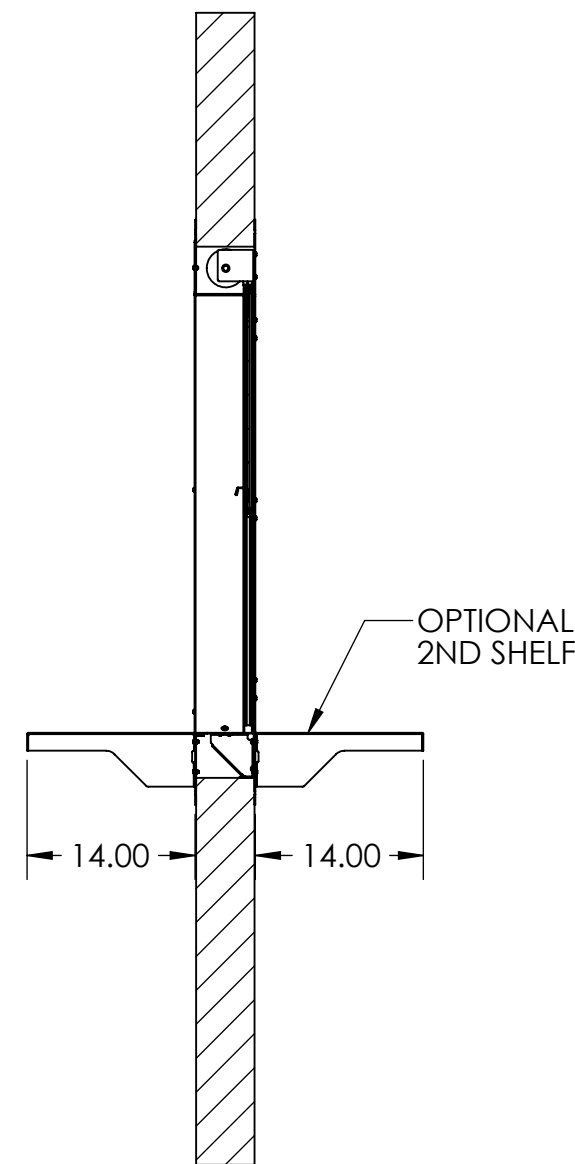


REVISIONS				
ZONE	REV.	DESCRIPTION	DATE	APPROVED
	A	INITIAL RELEASE	3/12/20	MSC

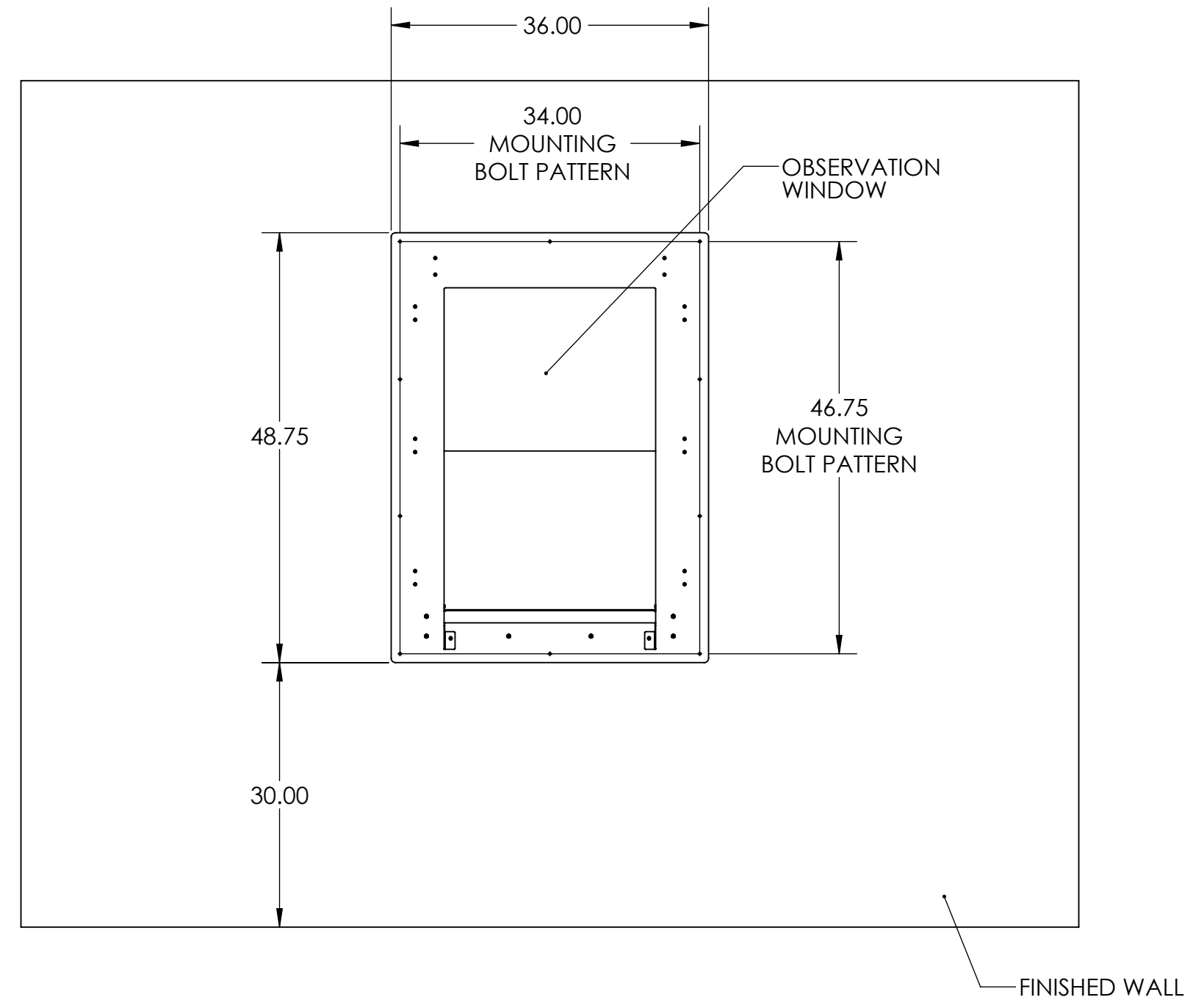
WALL THICKNESS MUST BE 4 7/8" +/- 1/8"



PACKAGING ROOM SIDE



SECTION A-A



CLEAN ROOM SIDE

- NOTES:
- LOCATING BRACKET ON THE CRD343 MANUAL PASS-THRU WINDOW SITS DIRECTLY ON THE LEDGE OF THE WALL OPENING, CENTER UNIT SIDE-TO-SIDE WITHIN THE WALL OPENING
 - ATTACH WINDOW TO WALL USING 20X #14 TRUSS HEAD SHEET METAL SCREWS, #3 PHILLIPS DRIVE, 18-8 SS, .216" DIA X 1.5" LONG, McMASTER-CARR P/N 93406A318
 - UNIT IS SHIPPED WITH ONE SHELF, A 2ND SHELF IS AVAILABLE AS AN OPTION
 - SINGLE SHELF MAY BE INSTALLED ON EITHER SIDE (PACKAGING ROOM SIDE OR CLEAN ROOM SIDE)

PROPRIETARY AND CONFIDENTIAL
 THE INFORMATION CONTAINED IN THIS DRAWING IS THE SOLE PROPERTY OF CLEAN ROOM DEVICES, LLC. ANY REPRODUCTION IN PART OR AS A WHOLE WITHOUT THE WRITTEN PERMISSION OF CLEAN ROOM DEVICES, LLC IS PROHIBITED.

UNLESS OTHERWISE SPECIFIED:		DRAWN	NAME	DATE	CLEAN ROOM DEVICES, LLC
DIMENSIONS ARE IN INCHES		CHECKED	MSC	3/12/20	
TOLERANCES:		ENG APPR.			
FRACTIONAL ±1/16		MFG APPR.			
ANGULAR: MACHINED ±0.5° BEND ±2°		Q.A.			
TWO PLACE DECIMAL ±.01		COMMENTS:			TITLE:
THREE PLACE DECIMAL ±.005					INSTALLATION, CRD343
INTERPRET GEOMETRIC TOLERANCING PER: ANSI Y14.5					SIZE
MATERIAL					DWG. NO.
SEE NOTES					343-004
NEXT ASSY					REV
USED ON					A
FINISH					SCALE: 1:16
DO NOT SCALE DRAWING					WEIGHT:
					SHEET 1 OF 1