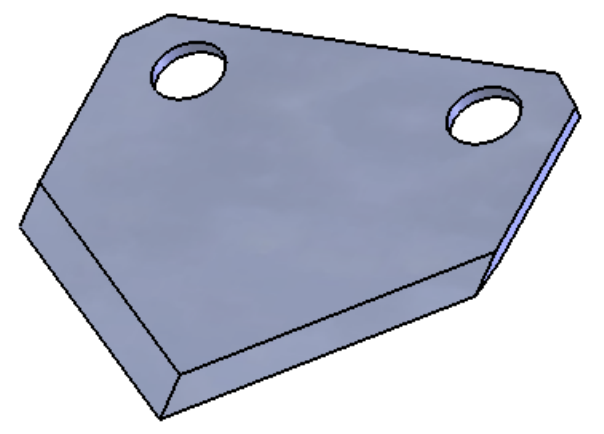
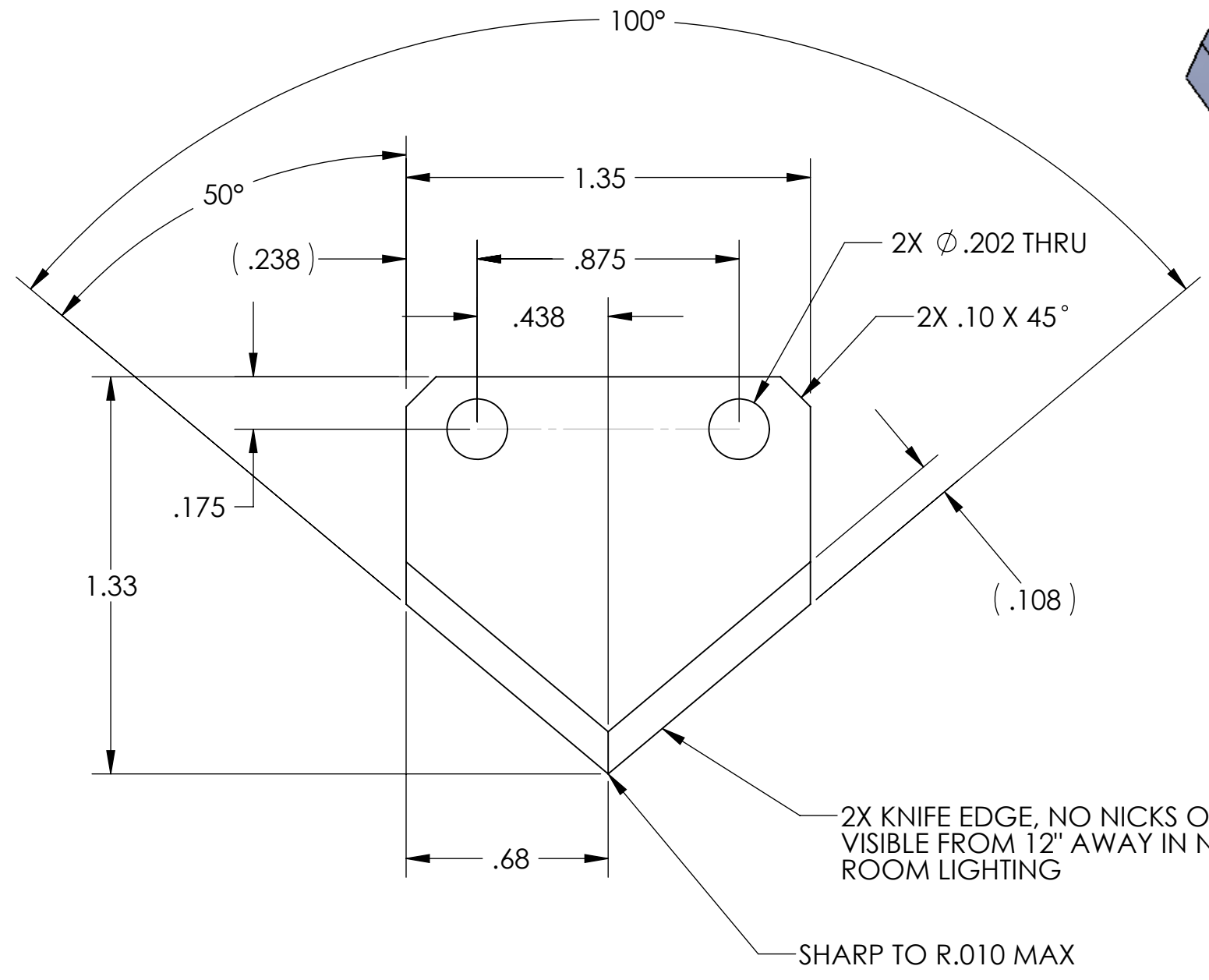
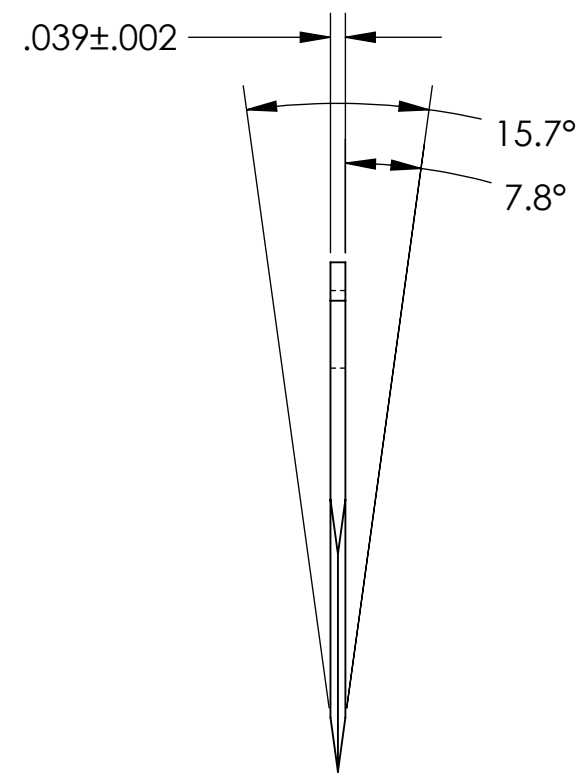



8 7 6 5 4 3 2 1

D
C
B
A



- NOTES:
 1. MATERIAL: RAZOR BLADE STAINLESS STEEL 440C, PRE HEAT TREATED TO RC56-58
 2. FINISH: NONE

PROPRIETARY AND CONFIDENTIAL
 THE INFORMATION CONTAINED IN THIS DRAWING IS THE SOLE PROPERTY OF CLEAN ROOM DEVICES, LLC. ANY REPRODUCTION IN PART OR AS A WHOLE WITHOUT THE WRITTEN PERMISSION OF CLEAN ROOM DEVICES, LLC IS PROHIBITED.

		UNLESS OTHERWISE SPECIFIED:	NAME	DATE	 12137 Mariposa Street Westminster, CO 80234	
		DIMENSIONS ARE IN INCHES	DRAWN	J. PAGE		02-20-06
		TOLERANCES:	CHECKED			
		FRACTIONAL ± 1/16	ENG APPR.			
		ANGULAR: MACH ± 0.5° BEND ± 2°	MFG APPR.			
		TWO PLACE DECIMAL ± .01	Q.A.			
		THREE PLACE DECIMAL ± .005	COMMENTS:			
		INTERPRET GEOMETRIC TOLERANCING PER:				
		MATERIAL	SEE NOTES			
		FINISH	SEE NOTES			
NEXT ASSY	USED ON	APPLICATION	DO NOT SCALE DRAWING			
			TITLE: BLADE, TUBE CUTTER			
SIZE	DWG. NO.	REV				
B	CD001-P07	2				
SCALE: 2:1	WEIGHT:	SHEET 1 OF 1				

8 7 6 5 4 3 2 1