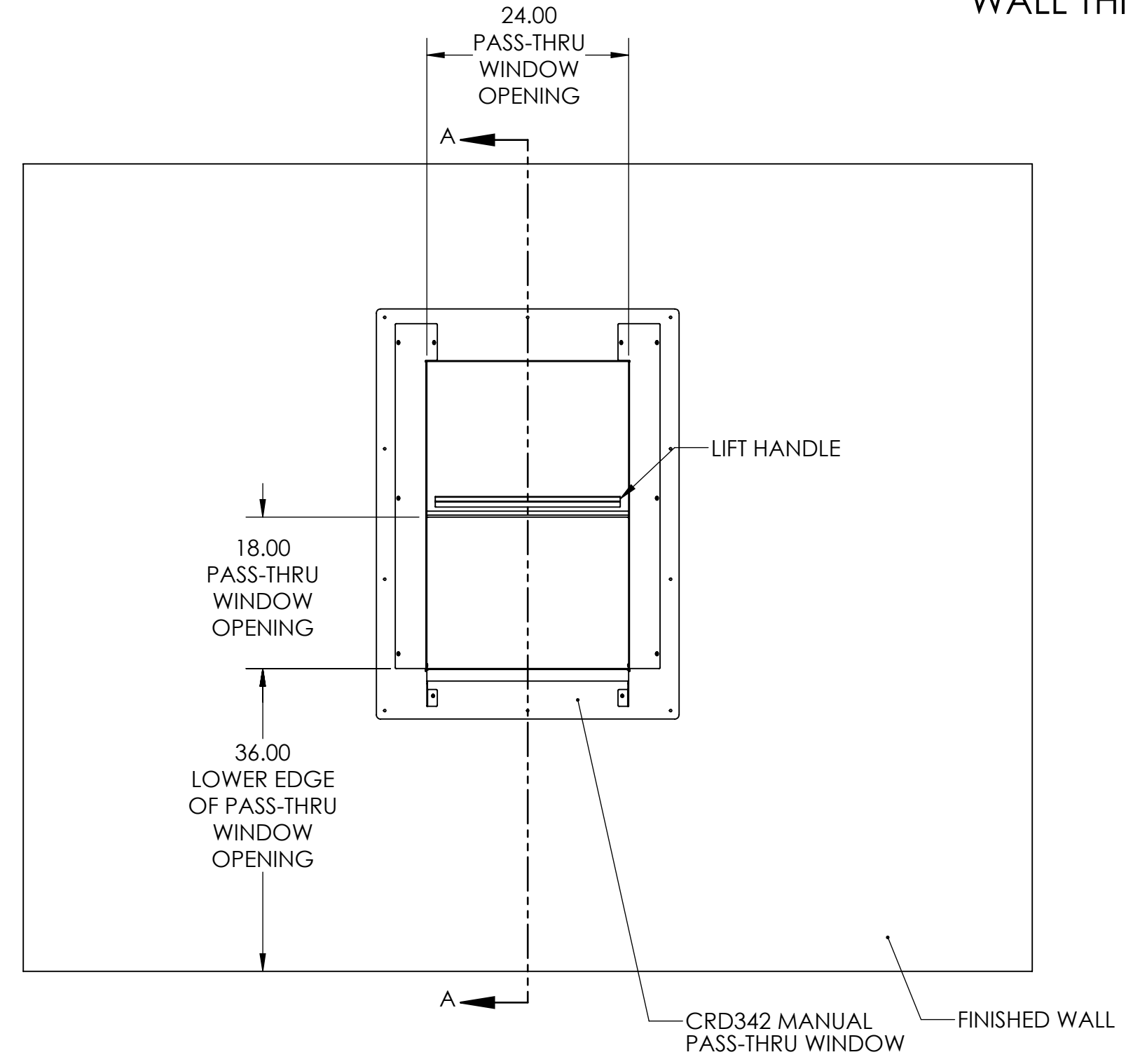
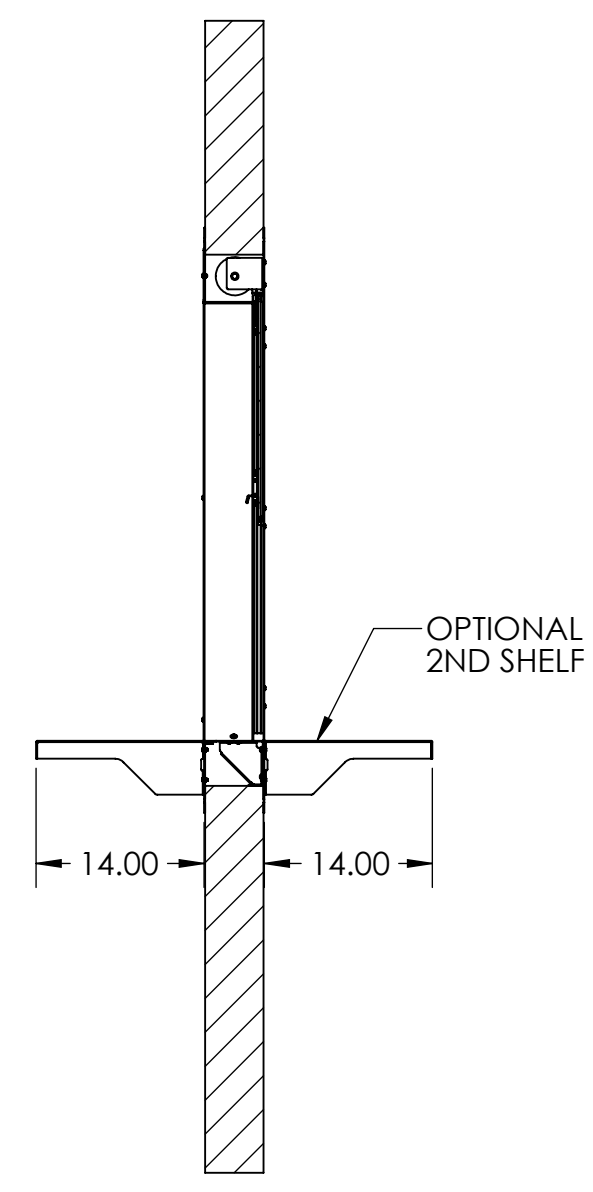


REVISIONS				
ZONE	REV.	DESCRIPTION	DATE	APPROVED
	A	INITIAL RELEASE	3/12/20	MSC

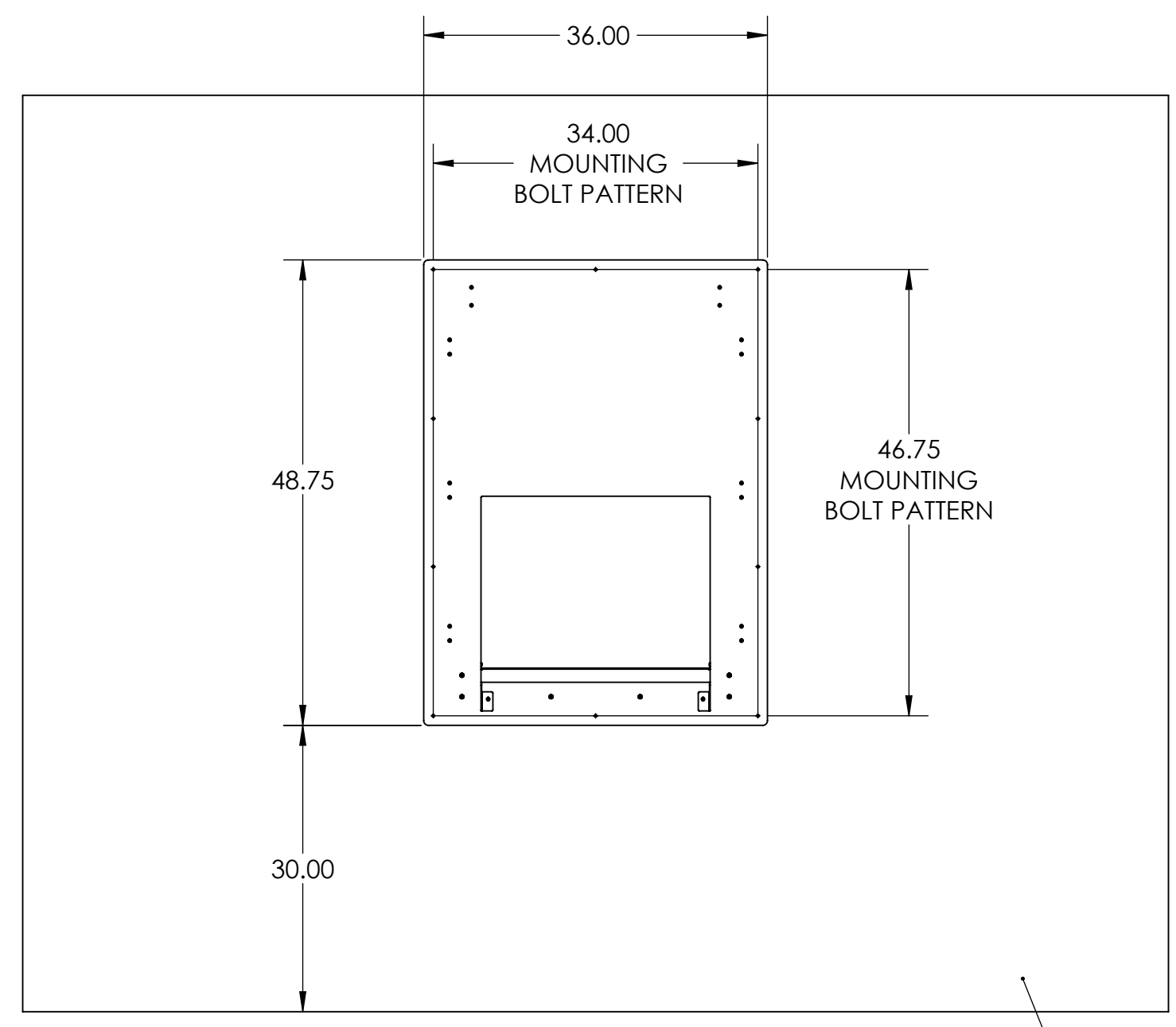
WALL THICKNESS MUST BE 4 7/8" +/- 1/8"



PACKAGING ROOM SIDE



SECTION A-A



CLEAN ROOM SIDE

- NOTES:
- LOCATING BRACKET ON THE CRD342 MANUAL PASS-THRU WINDOW SITS DIRECTLY ON THE LEDGE OF THE WALL OPENING, CENTER UNIT SIDE-TO-SIDE WITHIN THE WALL OPENING
  - ATTACH WINDOW TO WALL USING 20X #14 TRUSS HEAD SHEET METAL SCREWS, #3 PHILLIPS DRIVE, 18-8 SS, .216" DIA X 1.5" LONG, McMASTER-CARR P/N 93406A318
  - UNIT IS SHIPPED WITH ONE SHELF, A 2ND SHELF IS AVAILABLE AS AN OPTION
  - SINGLE SHELF MAY BE INSTALLED ON EITHER SIDE (PACKAGING ROOM SIDE OR CLEAN ROOM SIDE)

**PROPRIETARY AND CONFIDENTIAL**  
 THE INFORMATION CONTAINED IN THIS DRAWING IS THE SOLE PROPERTY OF CLEAN ROOM DEVICES, LLC. ANY REPRODUCTION IN PART OR AS A WHOLE WITHOUT THE WRITTEN PERMISSION OF CLEAN ROOM DEVICES, LLC IS PROHIBITED.

UNLESS OTHERWISE SPECIFIED:		DRAWN		NAME		DATE		CLEAN ROOM DEVICES, LLC	
DIMENSIONS ARE IN INCHES		MSC		MSC		3/12/20		TITLE:	
TOLERANCES:		CHECKED						INSTALLATION,	
FRACTIONAL ±1/16		ENG APPR.						CRD342	
ANGULAR: MACHINED ±0.5°		MFG APPR.						SIZE DWG. NO.	
BEND ±2°		Q.A.						C 342-009	
TWO PLACE DECIMAL ±.01		COMMENTS:						REV	
THREE PLACE DECIMAL ±.005								A	
INTERPRET GEOMETRIC TOLERANCING PER: ANSI Y14.5		NEXT ASSY		USED ON		FINISH		SCALE: 1:16 WEIGHT:	
MATERIAL								SHEET 1 OF 1	
SEE NOTES									
DO NOT SCALE DRAWING									