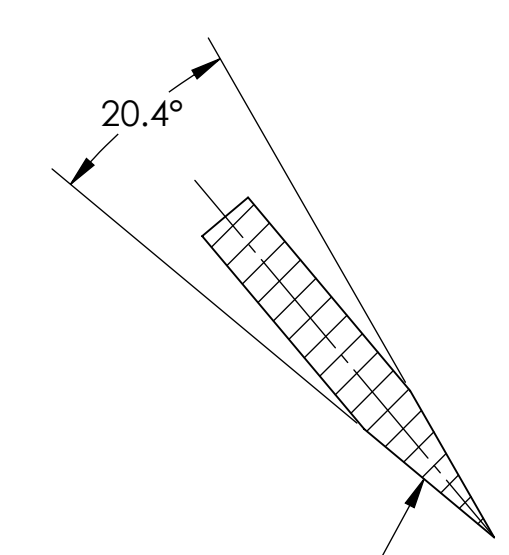
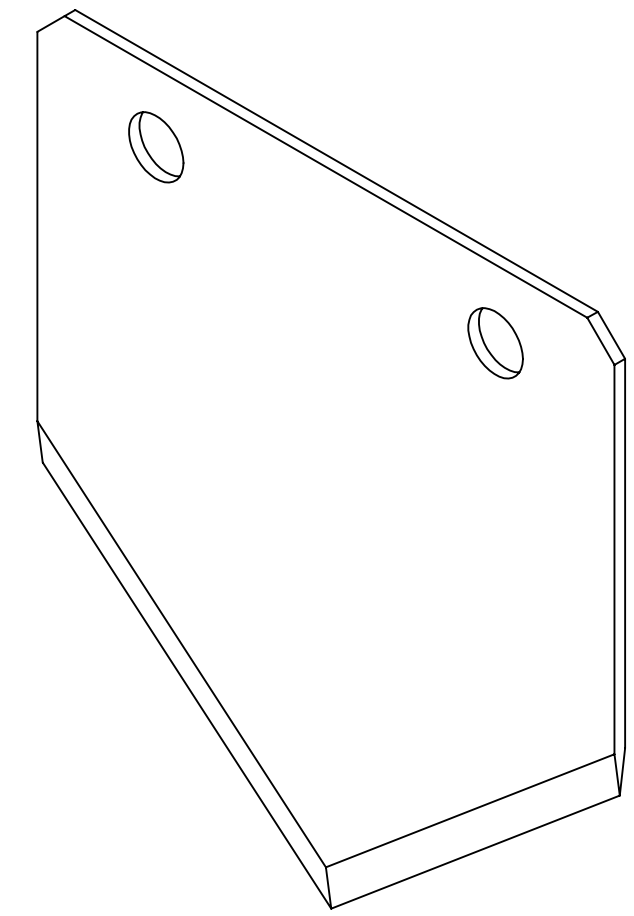
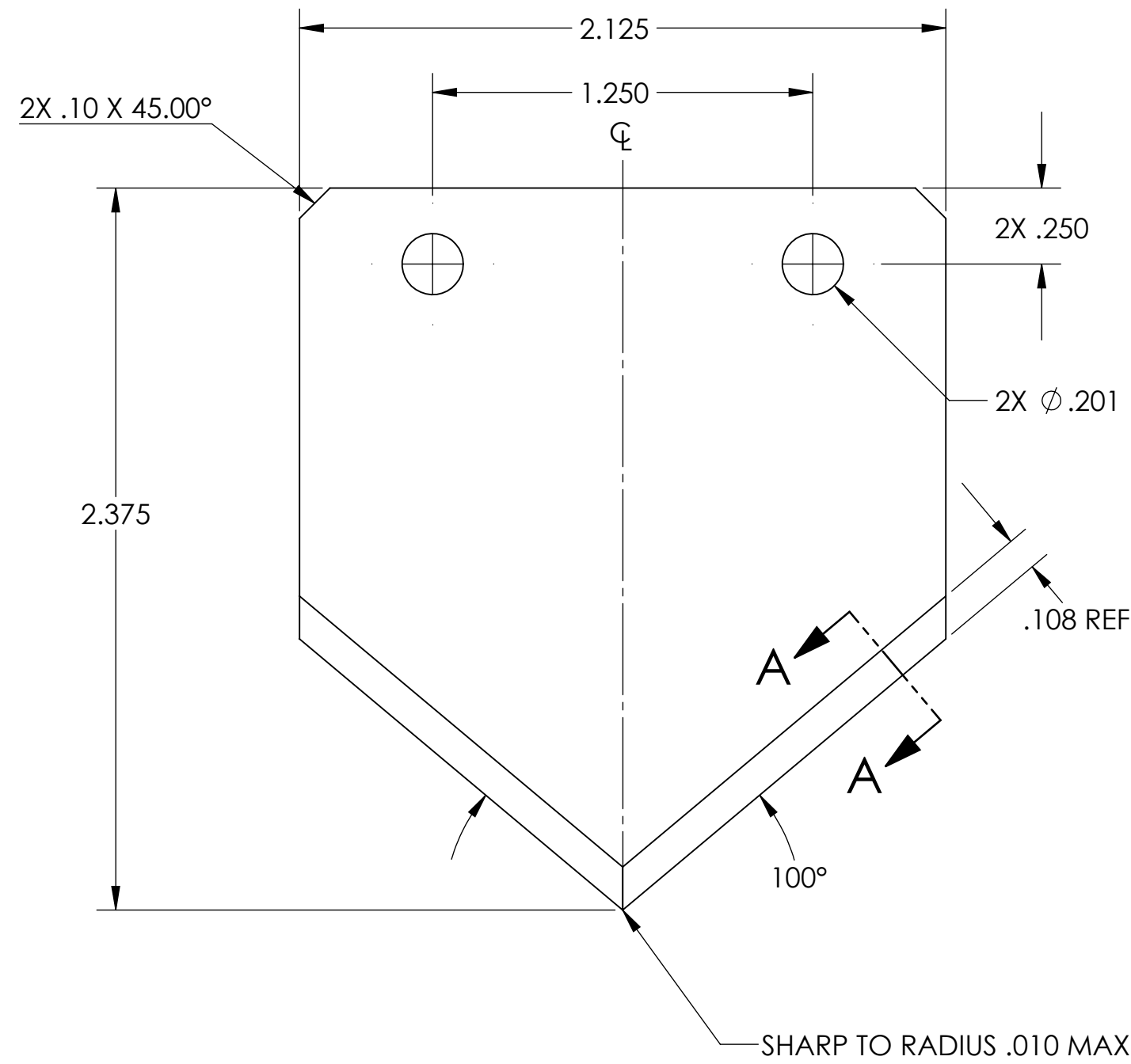


REVISIONS				
ZONE	REV.	DESCRIPTION	DATE	APPROVED
	A	INITIAL RELEASE	2/6/14	MSC
	B	ADDED BLADE ANGLE CALLOUT	2/11/14	MSC



GRIND AND HONE SYMMETRIC BEVEL ON CUTTING EDGES

SECTION A-A
SCALE 8 : 1

- NOTES:
 1. MATERIAL: PRE-HARDENED RAZOR BLADE 440C STAINLESS STEEL, RC56-58
 2. FINISH: NONE
 3. GRIND AND HONE SYMMETRIC BEVEL ON CUTTING EDGES

PROPRIETARY AND CONFIDENTIAL
 THE INFORMATION CONTAINED IN THIS DRAWING IS THE SOLE PROPERTY OF CLEAN ROOM DEVICES, LLC. ANY REPRODUCTION IN PART OR AS A WHOLE WITHOUT THE WRITTEN PERMISSION OF CLEAN ROOM DEVICES, LLC IS PROHIBITED.

		UNLESS OTHERWISE SPECIFIED:	NAME	DATE	CLEAN ROOM DEVICES, LLC
		DIMENSIONS ARE IN INCHES	DRAWN	MSC	
		TOLERANCES:	CHECKED		TITLE: BLADE, TUBE CUTTER
		FRACTIONAL $\pm 1/16$	ENG APPR.		
		ANGULAR: MACHINED $\pm 0.5^\circ$ BEND $\pm 2^\circ$	MFG APPR.		
		TWO PLACE DECIMAL $\pm .01$ THREE PLACE DECIMAL $\pm .005$	Q.A.		SIZE DWG. NO. REV C 160-004 B
		INTERPRET GEOMETRIC TOLERANCING PER: ANSI Y14.5	COMMENTS:		SCALE: 2:1 WEIGHT: SHEET 1 OF 1
		MATERIAL			
		SEE NOTES			
NEXT ASSY	USED ON	FINISH			
		DO NOT SCALE DRAWING			